

Installation Instruction

Installation

Step 1 – Cut Upper Guide and Lower Tracks to opening size

Step 2 – Mount Upper Track to soffit or ceiling.
Use appropriate mounting hardware for your field conditions.

**NOTE: The Lower Track is not the same size as the Upper Track.
Refer to specifications.**

Step 3 – Locate Bottom Track in proper position.
(do not attach to floor until door position is confirmed)

Step 4 – Position Door Panel into opening by sliding top of panel into upper track.

Step 5 – Rest bottom of door panel on lower track.

Step 6 – Insert lower wheels tabs into slot in lower track to the side of the door – slightly lift the door, and slide the wheel behind the door, positioning against mounting holes. Attach with screws.
Test slide the panel to both ends of the opening.

Step 7 – Mark position of the lower track. Remove door panel.

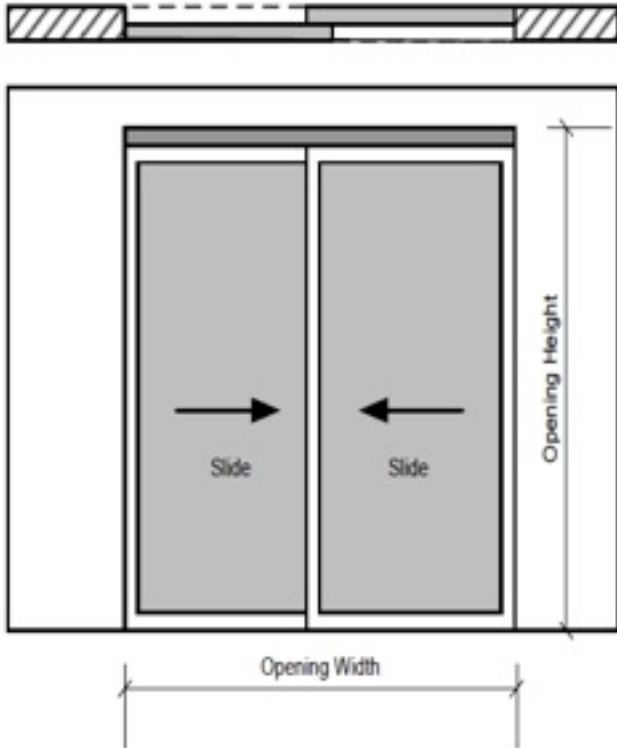
Step 8 – Install all panels on appropriate tracks as described in *Step 5*.
Level door panels by slightly loosening the wheel screws, raising or lowering door, and re-tightening wheel screws and adjusting leveling screw.

Parts

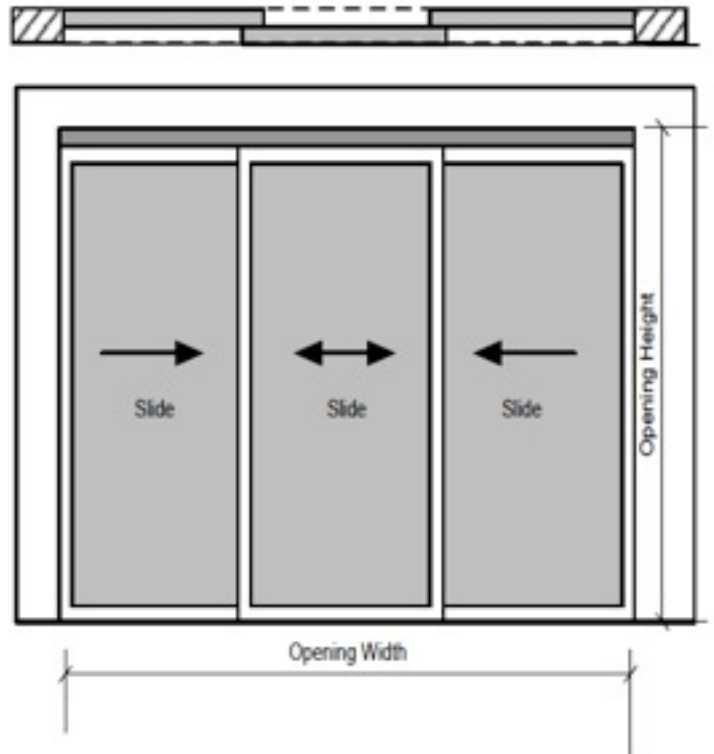
- Door Panels (Size and Quantity per your order)
- Upper Guide and Lower Track (Single, Double, or Triple) Style and length per your order
- Wheel Kit – Each kit contains (upper rollers and lower wheels for (1) Door Panel

Opening Type

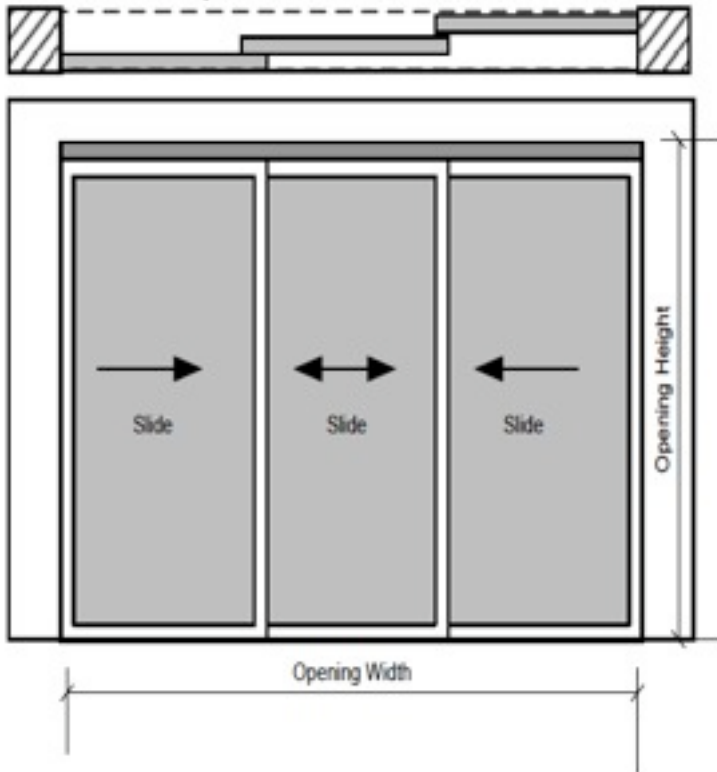
A Sliding Bypass (Two Panel)
Double Track



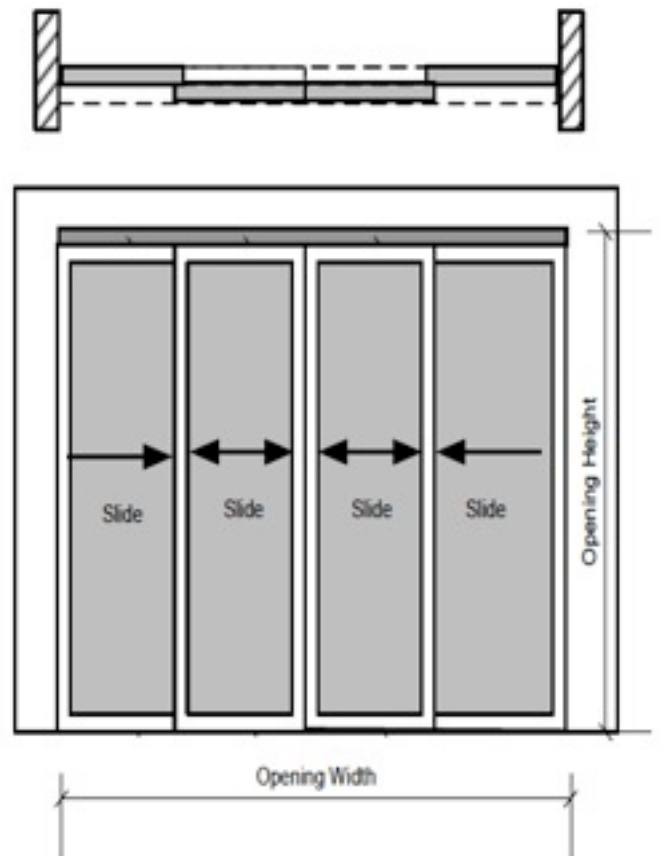
B Sliding Bypass (Three Panel)
Double Track



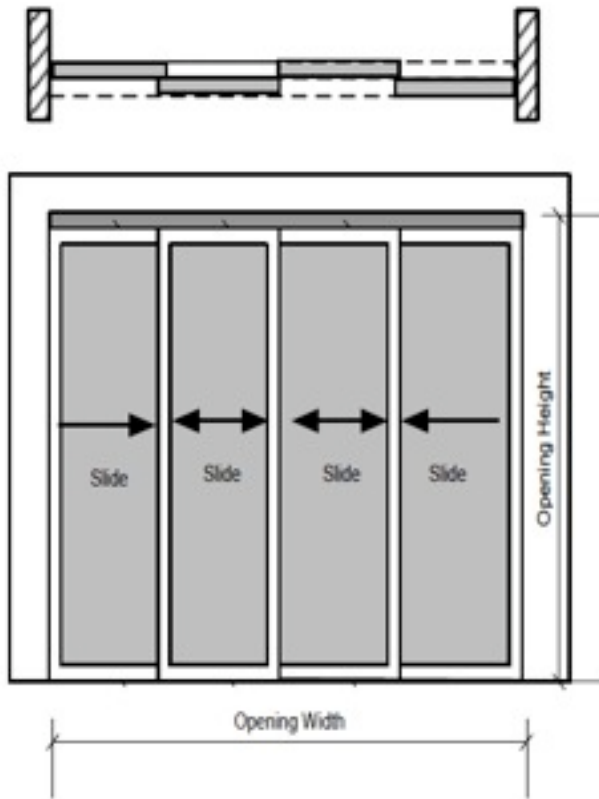
C Sliding Bypass (Three Panel)
Triple Track



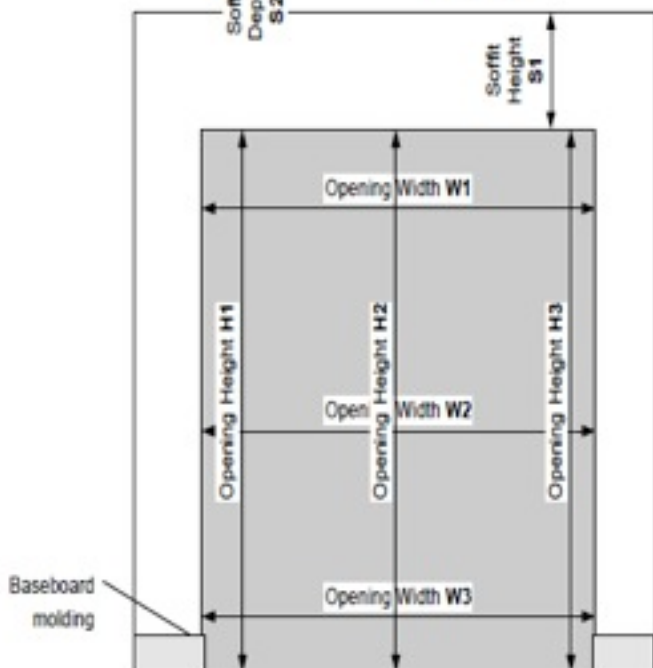
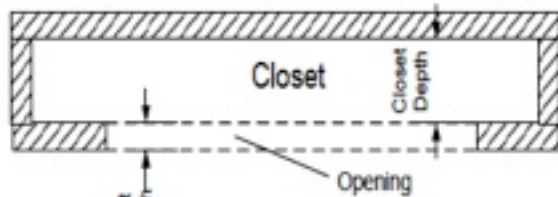
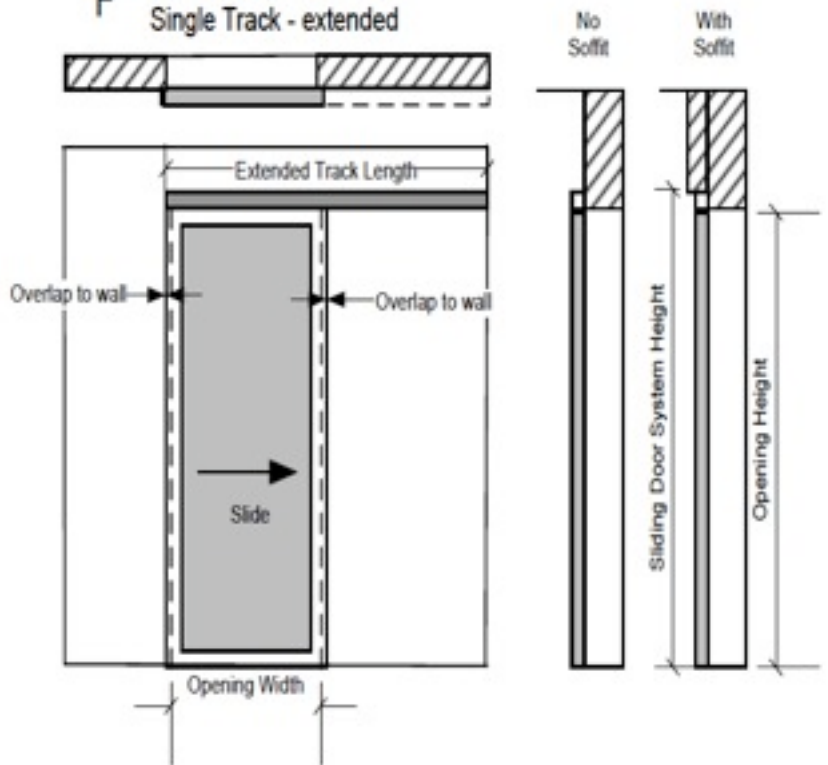
D Sliding Bypass (Four Panel)
Double Track



E Sliding Bypass (Four Panel)
Double Track



F Wall Slide (One Panel)
Single Track - extended



Measurements – Standard Opening

Measurements:

Opening Width: W1 _____ W2 _____ W3 _____

Opening Height: H1 _____ H2 _____ H3 _____

Soffit: S1 Height _____ No soffit – opening to ceiling _____

S2 Soffit Depth (Opening) _____

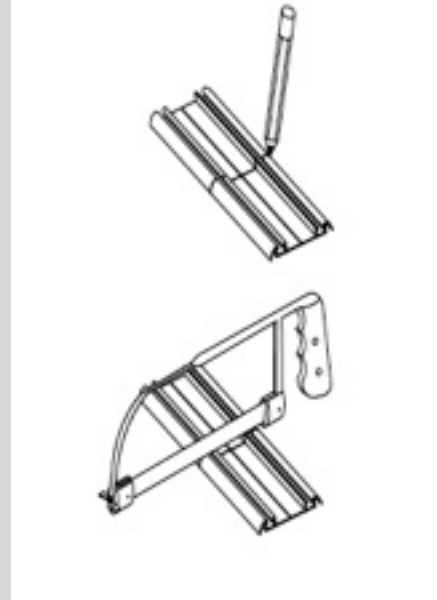
Installation Instruction

Cut the tracks

Carefully measure the width of the opening at top and bottom, and reduce the lengths measured by about 2-3 mm. Measure off the required track length, marking the future cut line on the tracks. Use a fine-toothed metal cutting saw to cut off the redundant part of the tracks.

Advice:

In order to facilitate upper track cutting, insert 38 mm thick wood blocks or a reversed piece of track into the track. This will prevent track deflection during the cutting process

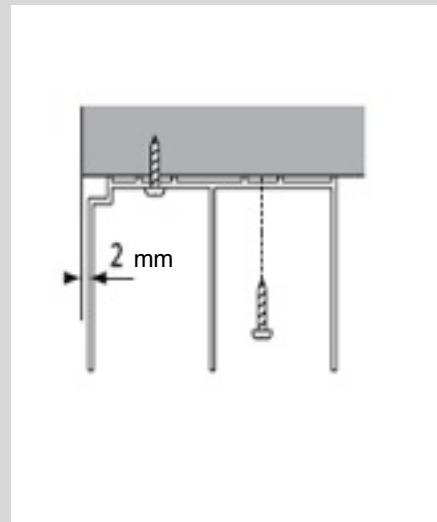


Install the upper track

Fix the upper track with screws, offsetting its flat surface by 2 mm from the door face. Install the upper track with the shadow line facing forward in order to mask ceiling irregularities. If a multiple-track system is installed, fix the other tracks so that they fit tightly against each other along the entire length.

Advice:

Avoid applying excessive force when tightening screws to prevent track deformation. Use flathead screws for best results. The surface to which the track is fixed must not be curved.



Installation Instruction

Fix stoppers and positioners in the bottom track

Before fixing the bottom track down, slide the bottom positioners and stoppers into the track as shown in the drawing. Set the exact location of positioners and stoppers after the door has been put in place and adjusted.



Set the door in place

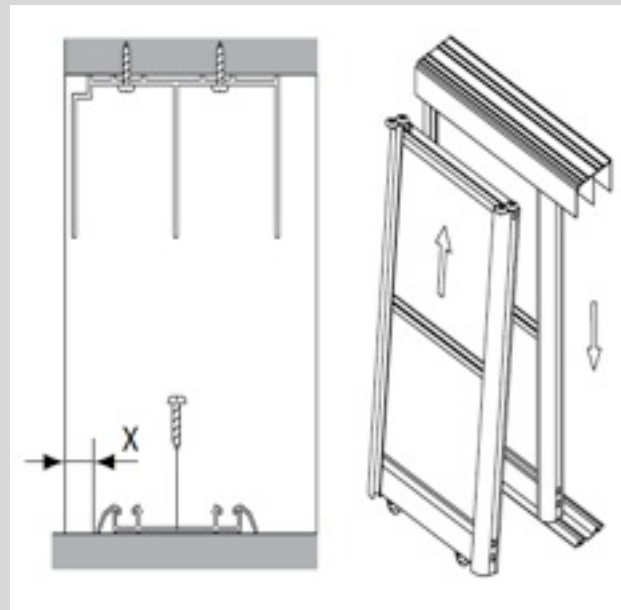
Lay the bottom track on the floor, offsetting it from the door face by about:

$x = 11$ mm for profiles,
 $x = 18$ mm for profiles.
(dependent on the type of profile)

If the track is to be fitted with positioners and stoppers, slip them into the respective tracks before fixing.

Fully insert the door leaf in the top track, taking care not to damage the bottom rollers, then align the bottom end of the door leaf with the bottom track and slowly lower the leaf, letting the rollers snap into the tracks.

NOTE: The Lower Track is not the same size as the Upper Track. Refer to specifications



Advice:

Before you set the door in place, put a cardboard sheet on the bottom track to prevent damage to track surface. When the door is already in position, remove the protective cardboard.

Installation Instruction

Install the bottom track

Use a level to make sure the door is exactly plumb; move the bottom track as necessary. Check if the door travels smoothly along the entire width of the opening. Having precisely aligned the bottom track, fix it to the base. With the track installed, set the other door leaves in their respective tracks.

Advice:

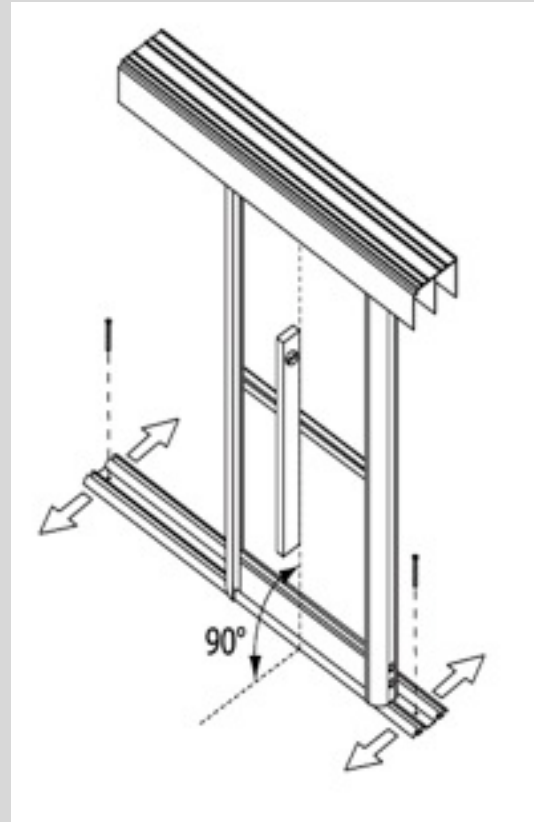
Before you fix the bottom track, make sure that it is positioned exactly parallel to the upper track.

With soft floor covering, before you fix the bottom track, cut out a strip of about 55 mm in width

and replace it with a 55 mm timber batten.

Alternatively, put a 100 mm floor batten between the floor covering and the bottom track. Avoid applying excessive force when tightening screws to prevent track deformation.

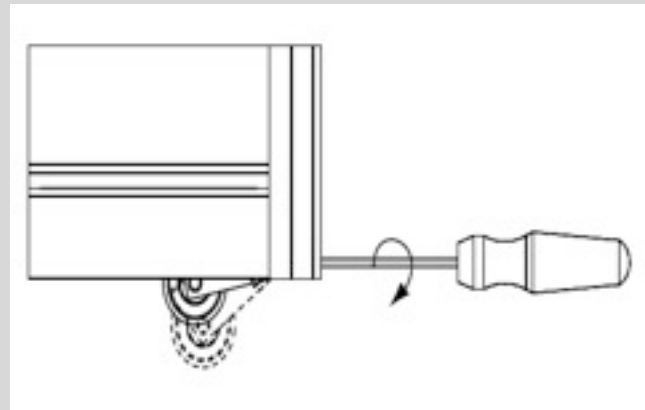
Use flat-head screws for best results.



Adjust door position

Adjust door position by means of the adjusting bolts in the bottom rollers so that the door fits tightly against the wall along its entire side.

Door-to-floor clearance is adjustable between 11 and 20 mm (3 to 12 mm from the bottom track).



Installation Instruction

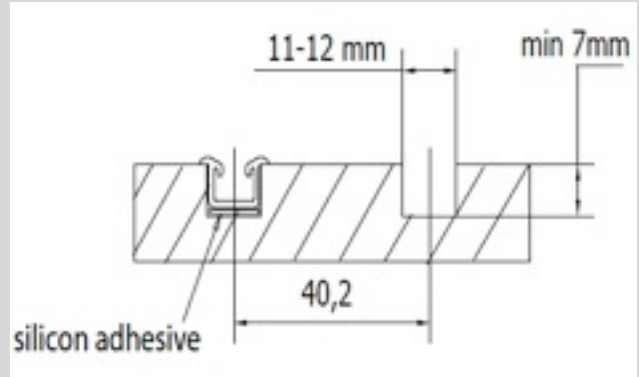
Fix the recessed bottom tracks

Recessed track for wood floor

The recessed bottom track can be fixed to ceramic or parquet flooring or to furniture board. Leave or make a groove of 11-12 mm in width and min. 7 mm in depth. Fix the track using silicon adhesive.

Prior to fixing the track, apply an appropriate quantity of the adhesive along the bottom groove .

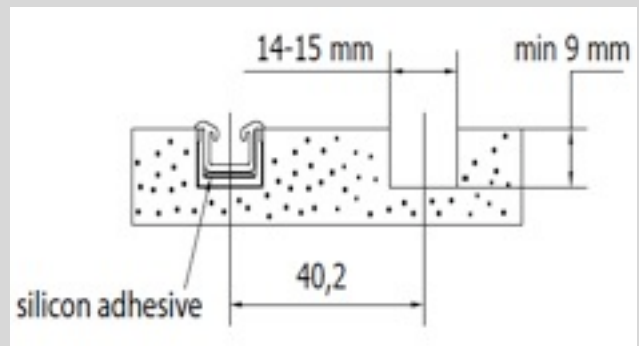
Where two or more tracks are installed, provide for 40.2 mm spacing on centers (distance between track centre lines).



Track recessed into ceramic flooring:

A recessed bottom track can be mounted in ceramic flooring. Leave a groove of 14-15 mm in width and at least 9 mm in depth, in which to install the installation profile 156250SU or embed it in mortar before it sets.

Prior to door installation, fix the track 153255 using silicone adhesive.

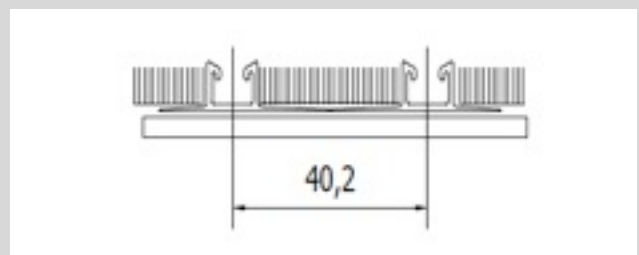


Wide recessed track for carpet:

The wide recessed track can be installed under carpeting.

Fix the track using screws, double-sided self-adhesive tape or silicon adhesive.

Where two tracks are installed, correct spacing of tracks will be obtained by laying them next to each other so that the wider sides of their bases abut.



Advice:

For an uneven base, fix the tracks with silicon adhesive.