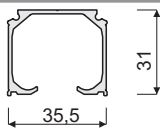
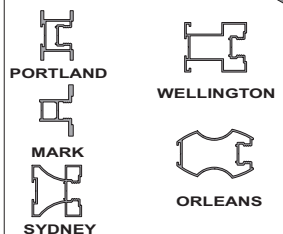


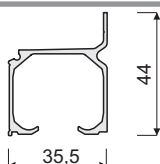


Handle:
**PORTLAND, MARK, SYDNEY,
 WELLINGTON, ORLEANS**

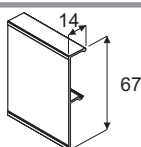
Suspended Doors SYSTEM YELLOW



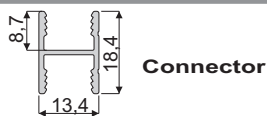
Suspended Track-Ceiling



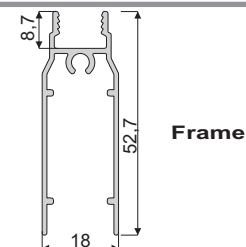
Suspended Track-Wall



Cover Suspended Wide



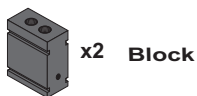
Connector



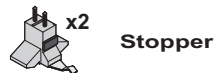
Frame



x2 **Suspended Wheel**



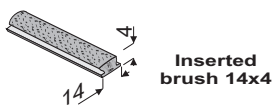
x2 **Block**



x2 **Stopper**



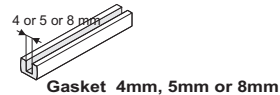
Floor Guide



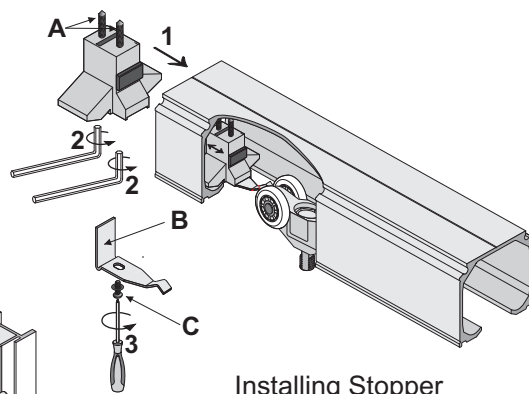
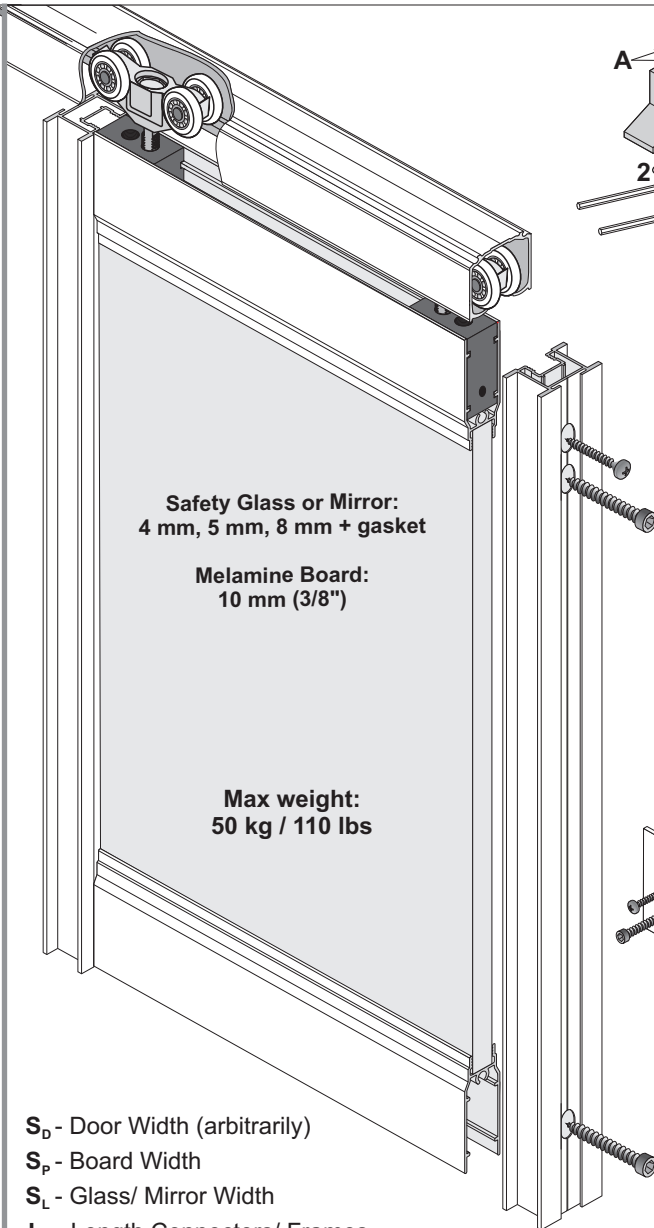
Inserted brush 14x4



Gasket 1/8" or 1/4"

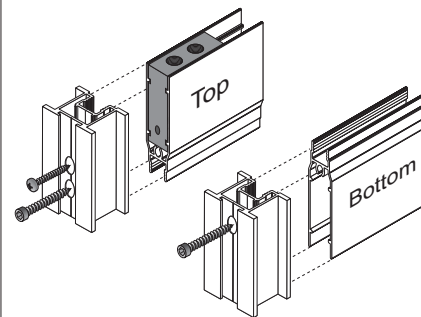


Gasket 4mm, 5mm or 8mm



Installing Stopper

- 1-Place the Stopper
- 2-Screw with the Allen Key
- 3-Screw the spring

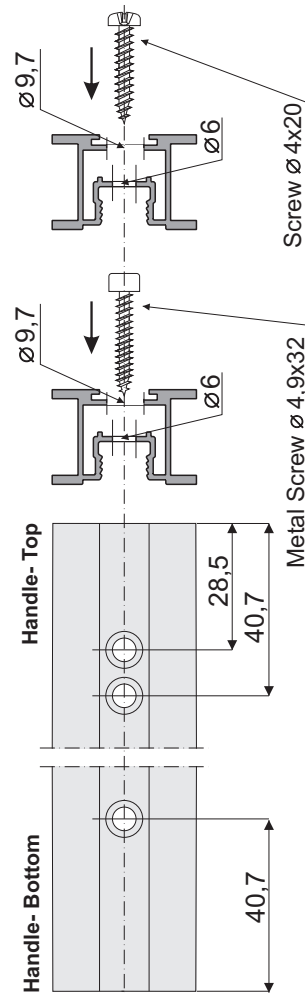


S_D - Door Width (arbitrarily)
 S_P - Board Width
 S_L - Glass/ Mirror Width
 L - Length Connectors/ Frames

$$S_P = S_D - X$$

$$S_L = S_D - Y$$

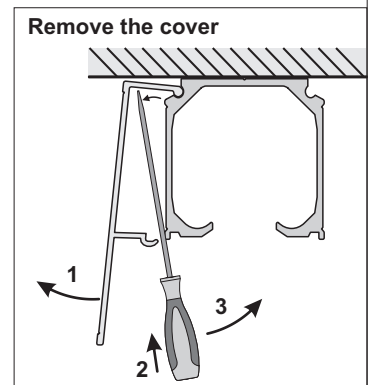
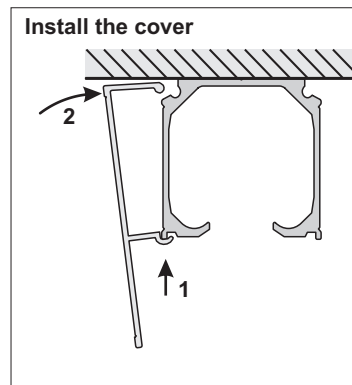
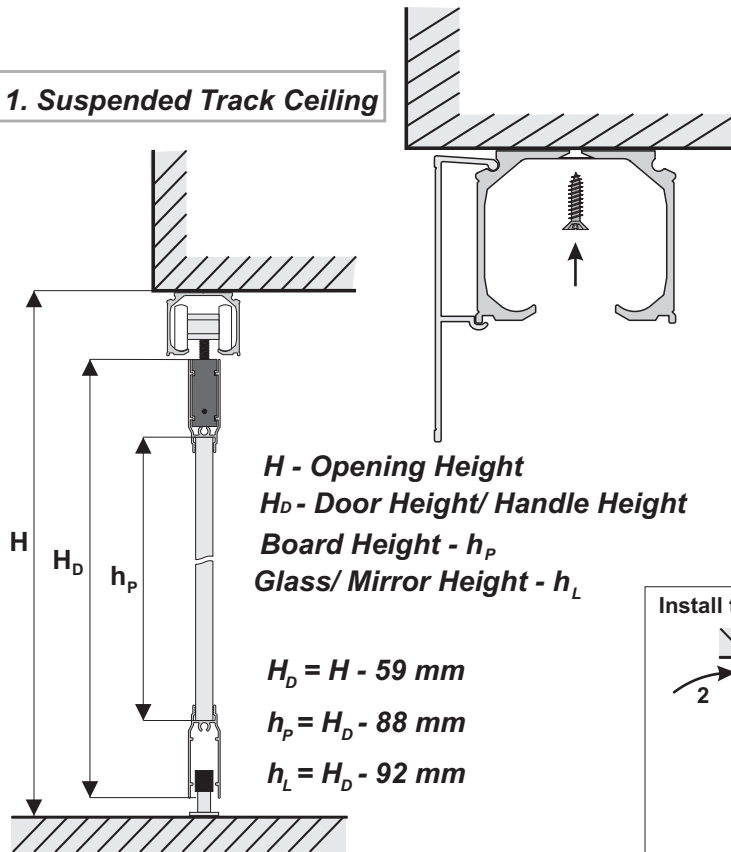
$$L = S_D - Z$$



Handle	X	Y	Z
PORTLAND	23 mm	27 mm	40 mm
MARK	25 mm	29 mm	42 mm
SYDNEY	45 mm	49 mm	62 mm
WELLINGTON	61 mm	65 mm	78 mm
ORLEANS	81 mm	85 mm	98 mm



1. Suspended Track Ceiling



2. Suspended Track Wall

